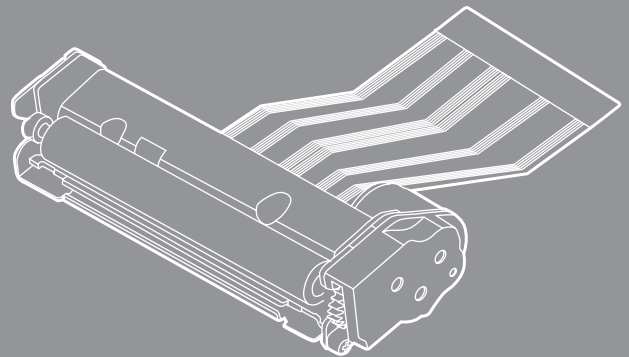
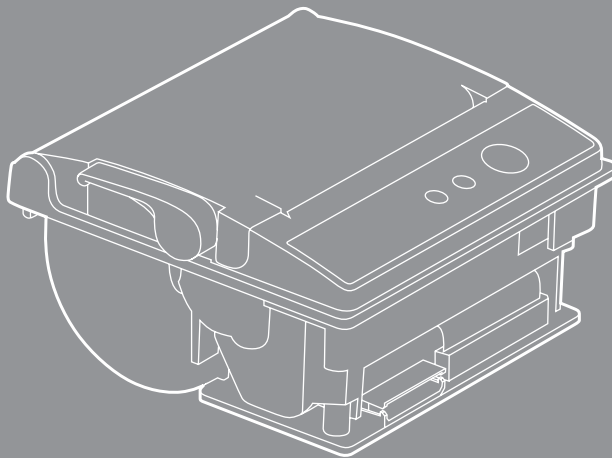


MECHANISMS



SMP6300



SMP6200



SMP6210



SMP695



SMP690 / SMP691



SMP685



SMP670



SMP650



SMP640



SPP-100II



SPP-100



SMP2000II / SMP2000IIA



SMP150



SMP136



SMP130

Thermal Printer Mechanisms



	SMP6300	SMP6200	SMP6210	SMP695
Print Characteristics				
Print Method	Direct Thermal	Direct Thermal	Direct Thermal	Direct Thermal
Print Speed	200 mm/sec (24 V)	150 mm/sec (24 V)	70 mm/sec (8.5 V)	100 mm/sec (9.5 V)
Print Resolution	203 dpi (8 dot/mm)	203 dpi (8 dot/mm)	203 dpi (8 dot/mm)	203 dpi (8 dot/mm)
Print Width	Up to 72 mm (576 dots)	Up to 54 mm (432 dots)	Up to 48 mm (384 dots)	Up to 48 mm (384 dots)
Media Characteristics				
Media Width	79.5 ± 0.5 mm	57.5 ± 0.5 mm	57.5 ± 0.5 mm	57.5 ± 0.5 mm
Physical Characteristics				
Dimensions (W x L x H)	100.0 x 46.2 x 22.2 mm	78.8 x 46.2 x 22.0 mm	78.8 x 46.2 x 22.0 mm	67.0 x 20.9 x 30.0 mm
Weight	210 g (0.46 lbs.)	168 g (0.37 lbs)	168 g (0.37 lbs)	35 g (0.07 lbs)
Power	Drive: DC 24 V ± 10% Logic: DC 2.75 V ~ 5.25 V	Drive: DC 24 V ± 10% Logic: DC 5 V ± 5%	Drive: DC 8.5 V Logic: DC 2.75 V ~ 5.25 V	Drive: DC 4.5 V ~ 9.5 V Logic: DC 2.75 V ~ 5.25 V
Environment Characteristics				
Temperature	Operating: 0 ~ 45°C	Operating: 0 ~ 45°C	Operating: 0 ~ 45°C	Operating: -5 ~ 45°C
Reliability				
Printer Head	100 km, 1 x 10 ⁸ pulses	100 km, 1 x 10 ⁸ pulses	50 km, 1 x 10 ⁸ pulses	50 km, 1 x 10 ⁸ pulses
Auto Cutter	1.0 Million Cuts	1.0 Million Cuts	1.0 Million Cuts	-
Fonts / Graphics / Symbolologies				
Dot Size	0.125 x 0.125 mm	0.125 x 0.125 mm	0.125 x 0.125 mm	0.125 x 0.125 mm
Character Size	Font A: 12 x 24 Font B: 9 x 24	Font A: 12 x 24 Font B: 9 x 24	Font A: 12 x 24 Font B: 9 x 24	Font A: 12 x 24 Font B: 9 x 24
Characters Per Line	Font A: 32 Font B: 42	Font A: 32 Font B: 42	Font A: 32 Font B: 42	Font A: 32 Font B: 42
Line Pitch	3.75 mm (30 dots)	3.75 mm (30 dots)	3.75 mm (30 dots)	3.75 mm (30 dots)

Panel Printer



	SPP-100II	SPP-100
Print Characteristics		
Print Method	Direct Thermal	Direct Thermal
Print Speed	62.5 mm/sec (8.5 V), 50 mm/sec (7.2 V), 20 mm/s (5V)	62.5 mm/sec (8.5 V), 50 mm/sec (7.2 V)
Print Resolution	203 dpi (8 dot/mm)	203 dpi (8 dot/mm)
Sensor	Paper End	Paper End
Media Characteristics		
Media Width	57.5 ± 0.5 mm	57.5 ± 0.5 mm
Media Roll Diameter	Up to 40 mm	Up to 40 mm
Physical Characteristics		
Dimensions (W x L x H)	80.0 x 74.8 x 45.0 mm	80.0 x 74.8 x 45.0 mm
Weight	104 g (0.22 lbs.)	104 g (0.22 lbs.)
Power	DC 5.0 V ~ 8.5 V, 2.4 A (at 7.0V)	DC 5.0 V ~ 8.5 V, 2.4 A
Performance Characteristics		
Interface	Serial + USB	Serial, USB
Environment Characteristics		
Temperature	Operating: 0 ~ 45°C	Operating: 0 ~ 45°C
Reliability		
Printer Unit (MCBF)	30 Million Lines	30 Million Lines
TPH	50 km	50 km
Software		
Emulation	BXL / POS	BXL / POS
Fonts / Graphics / Symbolologies		
Character Size	Font A: 12 x 24, Font B: 9 x 17, Font C: 9 x 24 24 x 24(KOR,Big5,Shift JIS,GB2312)	Font A: 12 x 24 Font B: 9 x 24 KOR: 24 x 24
Characters Per Line	Font A: 32 Font B: 42, Font C: 42 / 24 x 24: 16	Font A: 32 Font B: 42 / KOR: 16
Barcode Symbolologies	1D: Codabar, Code 39, Code 93, Code 128, EAN-13, EAN-8, ITF, UPC-A, UPC-E 2D: PDF417, QR CODE	1D: Codabar, Code 39, Code 93, Code 128, EAN-13, EAN-8, ITF

Impact Printer Mechanisms



	SMP2000II / SMP2000IIA
Print Characteristics	
Print Method	9-pin, Serial Impact Dot, Friction Type
Print Speed	4.5 lps, 6.2 lps
Print Resolution	84 dpi (horizontal) / 144 dpi (vertical)
Print Width	Up to 63.5 mm (2.5 inch), Up to 45.3 mm (1.8 inch)
Print Direction	Bi-Direction
Sensor (optional)	Black Mark Sensor
Media Characteristics	
Media Width	57.5 ± 0.5 mm, 76.2 ± 0.7 mm
Media Thickness	1 Sheet: 0.06 ~ 0.085 mm, Total 0.2 mm
Physical Characteristics	
Dimensions (W x L x H)	SMP2000II: 127.8 x 100.3 x 53.0 mm SMP2000IIA: 127.8 x 100.3 x 72.8 mm
Weight	SMP2000II: 435 g (0.95 lbs) SMP2000IIA: 746 g (1.64 lbs)
Power	Drive: DC 24 V ± 10% / Logic: DC 5 V ± 5%
Environment Characteristics	
Temperature	Operating: 0 ~ 45°C
Reliability	
Printer Unit (MCBF)	10 Million Lines
Printer Head	300 Million dots/wire
Auto Cutter	SMP2000IIA: 1.0 Million Cuts
Fonts / Graphics / Symbolologies	
Character Size	Font A: 7 x 9 Font B: 8 x 9 / KOR: 15 x 9, CHN: 16 x 16
Characters Per Line	Font A: 42, 30 Font B: 35, 25 / KOR: 24, 17, CHN: 23, 16

Thermal Printer Mechanisms



SMP690 / SMP691	SMP685	SMP670	SMP650	SMP640
Print Characteristics				
Direct Thermal	Direct Thermal	Direct Thermal	Direct Thermal	Direct Thermal
100 mm/sec (9.5 V)	90 mm/sec (8.5 V)	90 mm/sec (8.5 V)	70 mm/sec (8.5 V)	70 mm/sec (8.5 V)
203 dpi (8 dot/mm)	203 dpi (8 dot/mm)	203 dpi (8 dot/mm)	203 dpi (8 dot/mm)	203 dpi (8 dot/mm)
Up to 48 mm (384 dots)	Up to 48 mm (384 dots)	Up to 48 mm (384 dots)	Up to 48 mm (384 dots)	Up to 48 mm (384 dots)
Media Characteristics				
57.5 ± 0.5 mm	57.5 ± 0.5 mm	57.5 ± 0.5 mm	57.5 ± 0.5 mm	57.5 ± 0.5 mm
Physical Characteristics				
SMP690: 66.6 x 24.5 (38.2) x 15.0 mm SMP691: 67.4 x 15.3 (29.5) x 31.6 mm	68.5 x 32.5 x 15.2 mm	D/T: 69.5 x 20.1 x 31.5 mm H/T: 69.5 x 33.3 x 16.0 mm	68.8 x 32.5 x 15.5 mm	66.7 x 30.3 x 30.6 mm
SMP690: 48 g (0.10 lbs) SMP691: 49 g (0.10 lbs)	40 g (0.08 lbs)	62 g (0.13 lbs)	40 g (0.08 lbs)	38 g (0.08 lbs)
Drive: DC 4.75 V ~ 9.5 V Logic: DC 2.7 V ~ 5.25 V	Drive: DC 4.75 V ~ 8.5 V Logic: DC 2.7 V ~ 5.25 V	Drive: DC 4.75 V ~ 8.5 V Logic: DC 2.75 V ~ 5.25 V	Drive: DC Up to 8.5 V Logic: DC 3.0 V ~ 5.5 V	Drive: DC Up to 8.5 V Logic: DC 3.0 V ~ 5.5 V
Environment Characteristics				
Operating: 0 ~ 45°C	Operating: 0 ~ 45°C	Operating: 0 ~ 45°C	Operating: 0 ~ 45°C	Operating: 0 ~ 45°C
Reliability				
50 km, 1 x 10 ⁶ pulses	50 km, 1 x 10 ⁶ pulses	50 km, 1 x 10 ⁶ pulses	50 km, 1 x 10 ⁶ pulses	50 km, 1 x 10 ⁶ pulses
-	-	-	-	-
Fonts / Graphics / Symbologies				
0.125 x 0.125 mm	0.125 x 0.125 mm	0.125 x 0.125 mm	0.125 x 0.125 mm	0.125 x 0.125 mm
Font A: 12 x 24 Font B: 9 x 24	Font A: 12 x 24 Font B: 9 x 24	Font A: 12 x 24 Font B: 9 x 24	Font A: 12 x 24 Font B: 9 x 24	Font A: 12 x 24 Font B: 9 x 24
Font A: 32 Font B: 42	Font A: 32 Font B: 42	Font A: 32 Font B: 42	Font A: 32 Font B: 42	Font A: 32 Font B: 42
3.75 mm (30 dots)	3.75 mm (30 dots)	3.75 mm (30 dots)	3.75 mm (30 dots)	3.75 mm (30 dots)

Impact Printer Mechanisms



SMP150	SMP136	SMP130
Print Characteristics		
9-pin, Serial Impact Dot, Fanfold Type	9-pin, Serial Impact Dot, Fanfold Type	9-pin, Serial Impact Dot, Fanfold Type
4.3 lps, 4.5 lps	4.5 lps	4.0 lps
86 dpi (horizontal) / 144 dpi (vertical)	86 dpi (horizontal) / 144 dpi (vertical)	86 dpi (horizontal) / 72 dpi (vertical)
Up to 57.5 mm (2.26 inch)	Up to 53.4 mm (2.1 inch)	Up to 53.4 mm (2.1 inch)
Bi-Direction	Bi-Direction	Bi-Direction
Black Mark Sensor	Black Mark Sensor	Black Mark Sensor
Media Characteristics		
76.2 ± 0.7 mm	76.2 ± 0.7 mm	76.2 ± 0.7 mm
1 Sheet: 0.05 ~ 0.095 mm, Total 0.25 ~ 0.35 mm	1 Sheet: 0.05 ~ 0.095 mm, Total 0.25 ~ 0.35 mm	1 Sheet: 0.05 ~ 0.095 mm, Total 0.25 ~ 0.35 mm
Physical Characteristics		
103.3 x 90.5 x 35.0 mm	113.5 x 107.8 x 35.8 mm	114.9 x 107.8 x 35.8 mm
335 g (0.73 lbs)	345 g (0.76 lbs)	410 g (0.9 lbs)
Drive: DC 24 V ± 10% / Logic: DC 5 V ± 5%	Drive: DC 24 V ± 10% / Logic: DC 5 V ± 5%	Drive: DC 24 V ± 10% / Logic: DC 5 V ± 5%
Environment Characteristics		
Operating: 0 ~ 45°C	Operating: 0 ~ 45°C	Operating: 0 ~ 45°C
Reliability		
5 Million Lines	5 Million Lines	5 Million Lines
150 Million dots/wire	150 Million dots/wire	150 Million dots/wire
-	-	-
Fonts / Graphics / Symbologies		
Font A: 7 x 9, Font B: 9 x 9 / KOR: 15 x 9, CHN: 16 x 16	Font A: 7 x 9, Font B: 9 x 9 / KOR: 15 x 9, CHN: 16 x 16	Font A: 7 x 9, Font B: 9 x 9 / KOR: 15 x 9
Font A: 43, 40 Font B: 35, 32 / KOR: 23, 21, CHN: 21, 20	Font A: 40 Font B: 32 / KOR: 21, CHN: 20	Font A: 40 Font B: 32 / KOR: 21

MECHANISMS
F E B 2 0 1 5

BIXOLON Co.,Ltd.

7~8F, (Sampyeong-dong), 20, Pangyoyeok-ro
241beon-gil, Bundang-gu, Seongnam-si,
Gyeonggi-do, 463-400, Korea (ROK)

Tel +82 (0) 31 218 5500

Fax +82 (0) 31 218 5589

E-mail sales@bixolon.com

BIXOLON America Inc.

3171 Fujita St Torrance, CA 90505

Tel +1 858 764 4580

Fax +1 310 257 6869

E-mail sales@bixolonusa.com

BIXOLON Europe GmbH

Tiefenbroicher Weg 35, 40472 Düsseldorf

Tel +49 211 68 78 54 0

Fax +49 211 68 78 54 20

E-mail sales@bixolon.de



BR-MECHANISMS-EN-FEB15-V1

Copyright © BIXOLON Co., Ltd. All rights reserved.

Features and specifications are subject to change without prior notice.